

## Extensions / Features



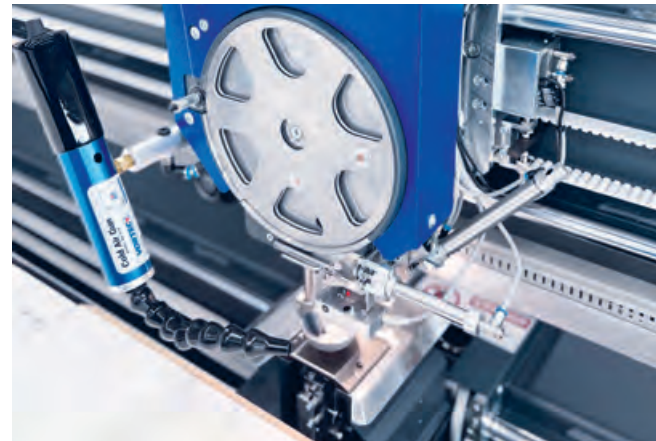
▲ Marking device for pattern-accurate cutting



▲ Modern touch operation on both sides



▲ Automatic thread cutter



▲ Needle cooling for technically demanding materials and applications



▲ Tablet operation and connectivity



▲ Longitudinal hemming

## Notes

-----

-----

-----

-----

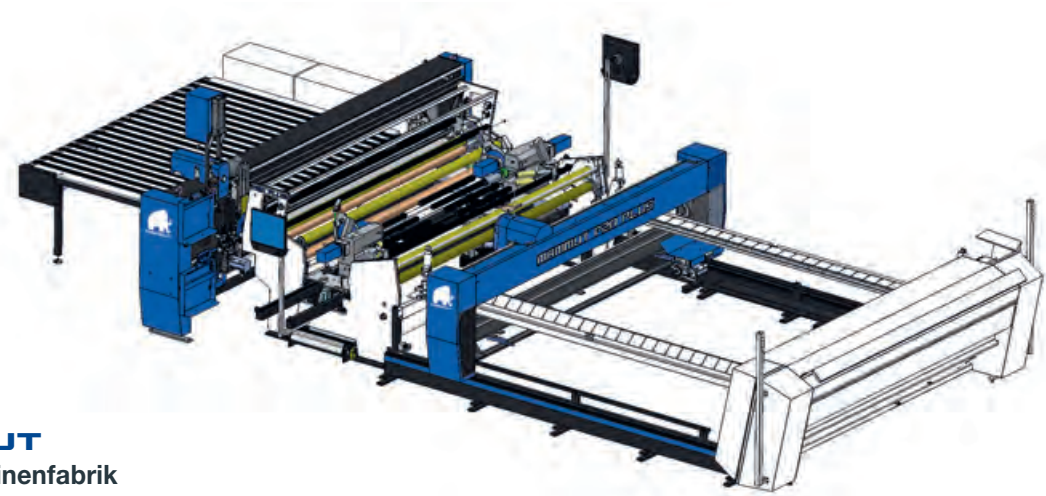
-----

-----

-----

-----

-----



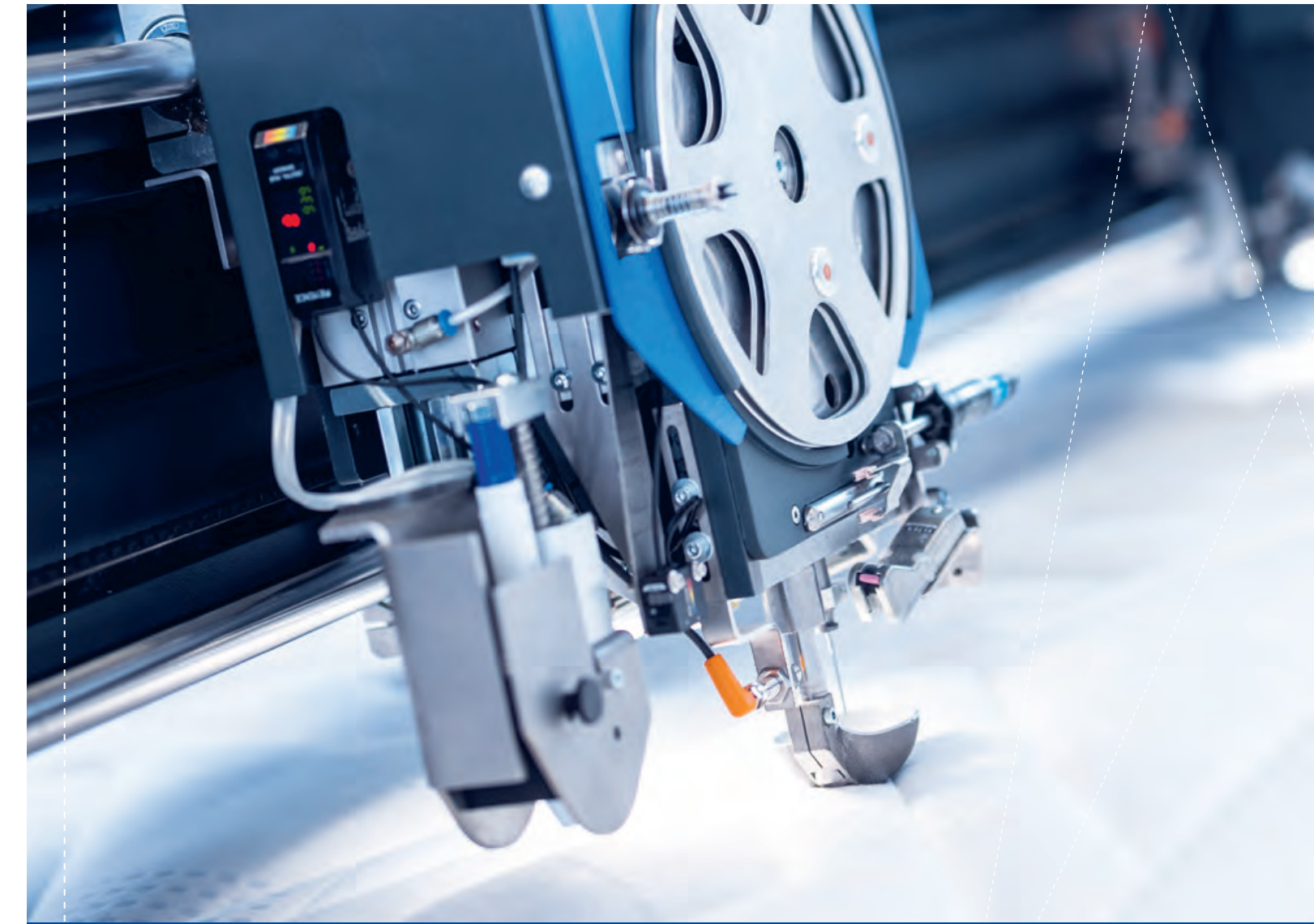
**MAMMUT**  
**Nähmaschinenfabrik**  
**Emil Stutznäcker GmbH & Co.KG**  
 Max-Planck-Straße 3  
 50858 Cologne  
 Germany

+ 49 (0) 2234 218 0  
 info@mammut.de  
 parts@mammut.de



mammut.de

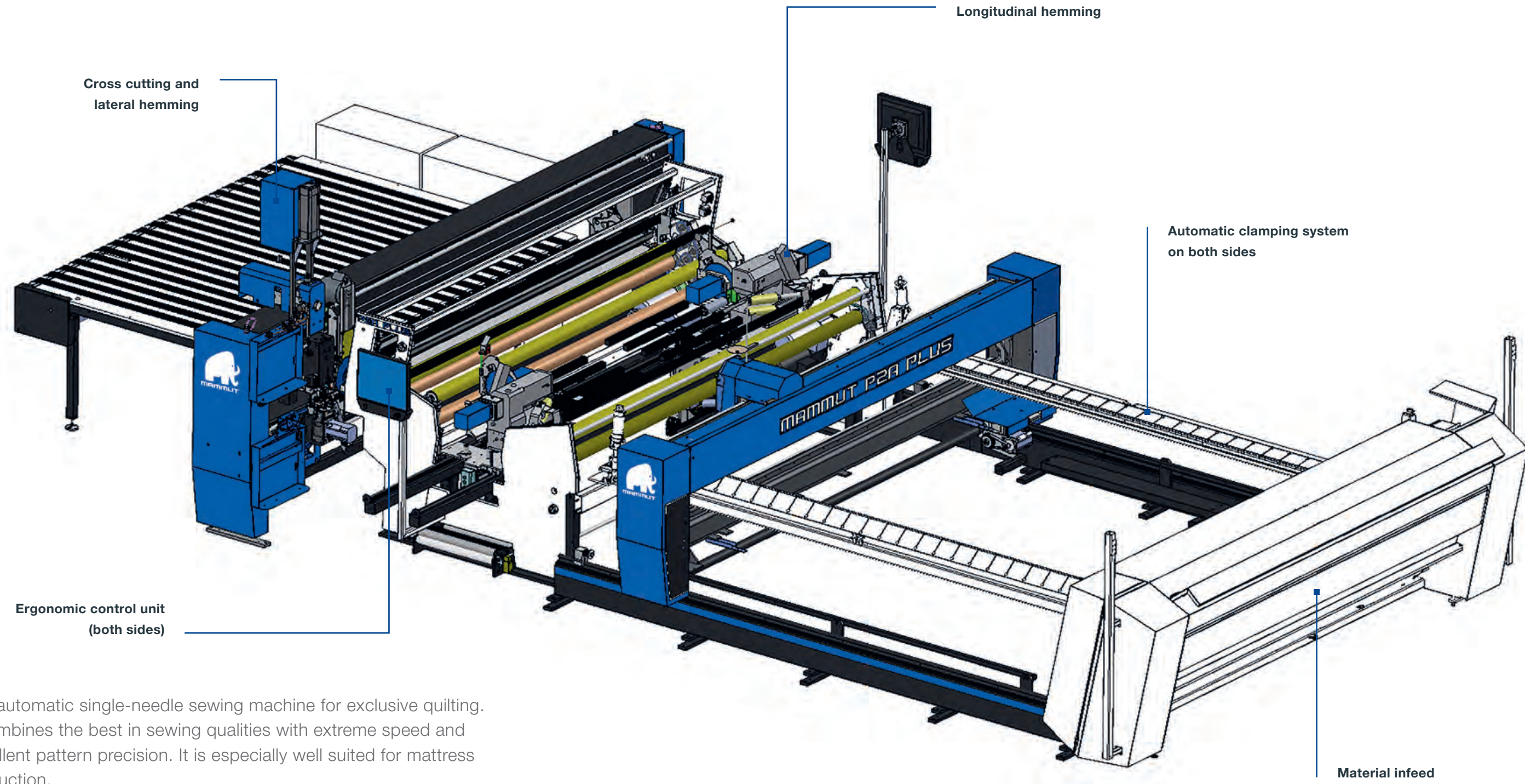
All data, information, statements, photographs and graphic illustrations in this leaflet are without any obligation and raise no liabilities to or form part of any sales contracts of Nähmaschinenfabrik Emil Stutznäcker GmbH & Co.KG or any affiliates for equipment and/or systems referred to herein. © Nähmaschinenfabrik Emil Stutznäcker GmbH & Co.KG 2023. All rights reserved. No part of this copyrighted work may be reproduced, modified or distributed in any form or by any means, or stored in any database or retrieval system, without the prior written permission of Nähmaschinenfabrik Emil Stutznäcker GmbH & Co.KG or its affiliates. Any such unauthorized use for any purpose is a violation of the relevant copyright laws. Nähmaschinenfabrik Emil Stutznäcker GmbH & Co.KG, Max-Planck-Straße 3, 50858 Cologne, Germany



**MAMMUT P2A PLUS**  
**DOUBLE LOCKSTITCH SINGLE-NEEDLE SEWING MACHINE**

# MAMMUT P2A PLUS

combines design with modern technology



The automatic single-needle sewing machine for exclusive quilting. It combines the best in sewing qualities with extreme speed and excellent pattern precision. It is especially well suited for mattress production.



Video MAMMUT P1A 240 E

The illustration shows MAMMUT P2A PLUS with optional equipment.

## For demanding applications

- » Sewing foot height electronically adjustable for consistent sewing precision during constant changes of bulk material.
- » Especially large needle stroke of 53 mm instead of the standard 40 mm allowing sewing without wrinkles of elastic or extremely thick materials.
- » Presser foot pause manoeuvre allows for pin-point accuracy with thinner needles.
- » A second variable use sewing head is available for even shorter quilting times. This way two pieces of fabric can be processed in parallel or one piece can be processed with two sewing heads simultaneously.
- » Extra-large bobbin capacity; Optional automatic bobbin changer.



### Double Lockstitch

Featuring a threefold revolving hook with a floating bobbin case, thereby providing non-sensitive settings and a high degree of sewing precision.



### Versatile handling

Easy accessibility to all operating and setup functions.



### Productivity

High output quantity achieved by utilizing a paralleled and mirrored working process with a double sewing head.



### Flexibility

Ideally designed for the smallest batch sizes as well as serial production.



### Innovation

Angular and specially designed industrial sewing heads for the processing of multi-layered and large surface materials.



### Durability

Extremely stable design of all parts for long lasting durability and a low level of maintenance work.

## FURTHER INFORMATION

ELECTRICAL DATA	MECHANICAL DATA	GENERAL MACHINE DATA
<ul style="list-style-type: none"> <li>▪ 3 Phase / 400 V</li> <li>▪ 50-60 Hz</li> <li>▪ 3.5 KW</li> </ul>	<ul style="list-style-type: none"> <li>▪ 5,000 x 15,000 mm (L x W)</li> <li>▪ Weight approx. 3,000 kg</li> <li>▪ Compressed air 6 bar</li> <li>▪ Air consumption 250 l / min</li> </ul>	<ul style="list-style-type: none"> <li>▪ up to 3,100 stitches / minute</li> <li>▪ max. sewing area 2,400 x 2,600 mm</li> <li>▪ Stitch length 2-8 mm</li> </ul>